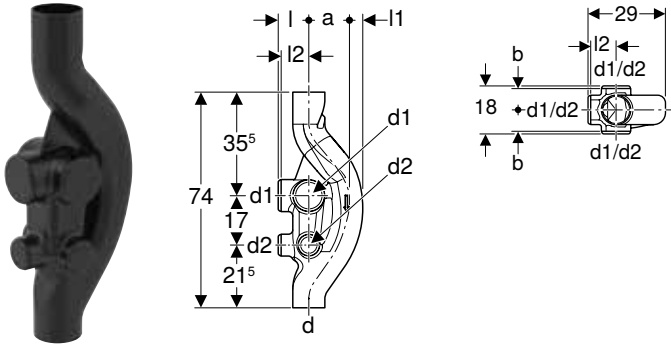


GEBERIT SUPERTUBE

**KNOW
HOW
INSTALLED**

Geberit HDPE Sovent fitting



Application purposes

- For building drainage
- For buildings with more than five floors (high-rise buildings)

Characteristics

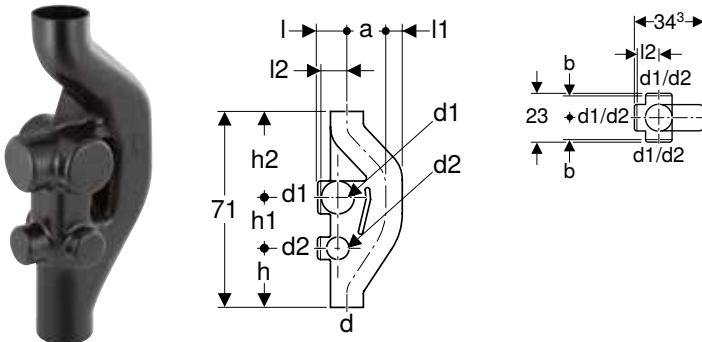
- Six connection options, closed
- UV-resistant

Technical data

Maximum discharge rate	12 l/s
Material	PE-HD

Art. no.	DN	d, ø [mm]	d1, ø [mm]	d2, ø [mm]	a [cm]	b [cm]	l [cm]	l1 [cm]	l2 [cm]
367.614.16.1	100 / 100 / 70	110	110	75	13	8	10.5	5.5	9.5

Geberit HDPE Sovent fitting



Application purposes

- For building drainage
- For buildings with more than five floors (high-rise buildings)

Characteristics

- Six connection options, closed
- UV-resistant

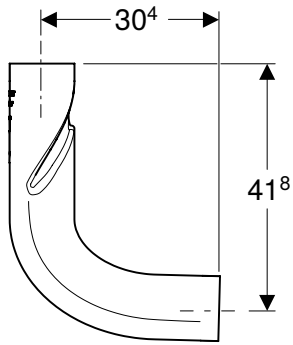
Technical data

Maximum discharge rate	17 l/s
Material	PE-HD

Art. no.	DN	d, ø [mm]	d1, ø [mm]	d2, ø [mm]	a [cm]	b [cm]	h [cm]	h1 [cm]	h2 [cm]	l [cm]	l1 [cm]	l2 [cm]
369.001.16.1	150 / 100 / 70	160	110	75	13.3	9.5	19	17	35	13	8	11

New

Geberit HDPE BottomTurn bend



Application purposes

- For building drainage
- For buildings with more than five floors (high-rise buildings)
- For use in Geberit Sovent system d110

Characteristics

- Can be welded on both sides with electrofusion coupling
- UV-resistant

Art. no. DN

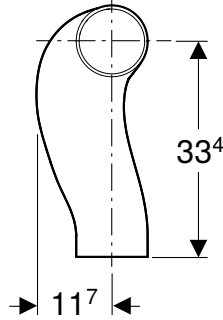
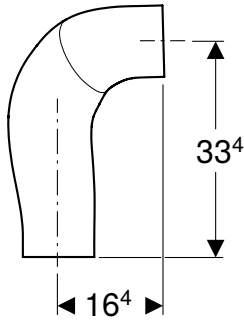
367.615.16.1 100

Technical data

Maximum discharge rate	12 l/s
Material	PE-HD

New

Geberit HDPE BackFlip bend



Application purposes

- For building drainage
- For buildings with more than five floors (high-rise buildings)
- For use in Geberit Sovent system d110

Characteristics

- Can be welded on both sides with electrofusion coupling
- UV-resistant

Art. no. DN

367.616.16.1 100

Technical data

Maximum discharge rate	12 l/s
Material	PE-HD

Geberit International Sales AG

CH-8640 Rapperswil
Switzerland

sales@geberit.com

www.international.geberit.com

Subject to change without notice. The information in this document contains general description of the technical options available, which do not always have to be present in the individual cases. The required features should therefore be specified in each individual case at the time of closing the contract.

int.en 21160-18/337 © by Geberit International Sales AG